



## Redfield® Accelerator™ Reflex Sight Mounting & Operating Instructions

### Operating Instructions

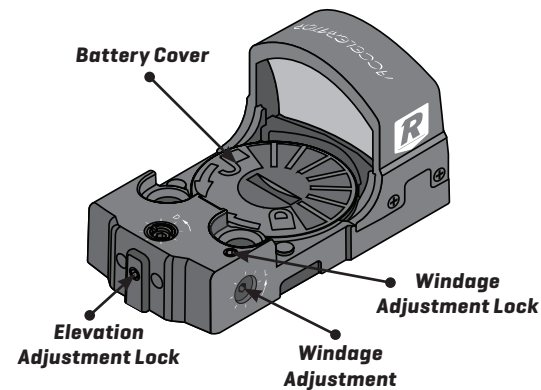
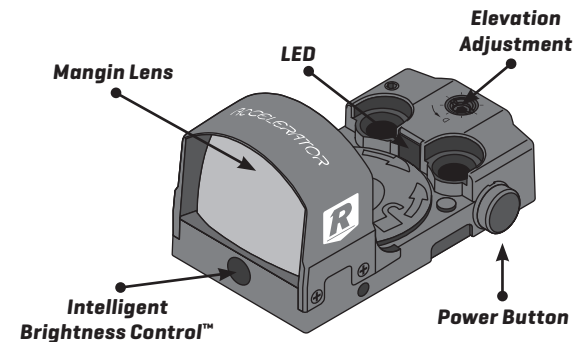
For optimum performance and to prevent damage to this precision instrument, carefully follow all instructions.

### Features

- Multi-coated lenses
- 4 Illumination intensities
- Multiple mounting options
- Extremely durable, ultra light aluminum housing
- Small size and weight
- Unlimited eye relief
- For handguns, rifles and shotguns
- Wide field-of-view

### Specifications

- Magnification: 1.0x
- Sight window: 22mm x 15mm; .87" x .59"
- Elevation adjustment range: 80 MOA
- Windage adjustment range: 80 MOA
- 40 MOA per revolution of adjustment
- Subtension of the aiming point : 6 MOA Dot
- Operating Temperature Range: -20°F to +120°F [-29°C to +49°C]
- Storage Temperature Range: -40°F to +160°F [-40°C to +71°C]
- Power Supply: 3V with one CR 2032 Lithium battery
- Dimensions: [LxWxH] 1.92" x 1.15" x .98" [49mm x 29mm x 25mm]
- Weight [with battery installed]: 1.0oz. [28g]



### Package Contents

- Accelerator Reflex Sight
- [1] 3V Lithium Battery [CR 2032]
- [1] Protective Cover
- [2] M4 x 11mm Torx® head screws for use with the cross slot or when the Mount Adapter Plate is NOT being used
- [2] 6-48x 13mm Torx® screws for use with the Mount Adapter Plate
- [1] .050 Hexagon Key
- [1] Torx® T-15 Wrench
- [1] Cross-Slot Mount
- [1] Mount Adapter Plate
- Operating Instructions



#### Cautions & Warnings:

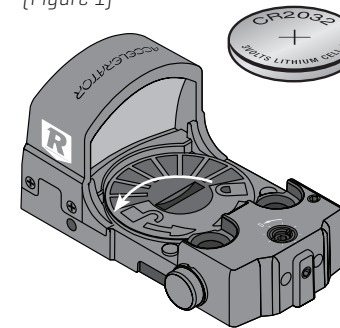
Check to ensure that the magazine of the firearm has been removed or emptied, that the action is open, and that there is not a round in the chamber. Only after double checking the firearm, verifying it is empty and safe, should you proceed with the installation of the Accelerator. Do not look directly into the sun, light arcs or other high-intensity light sources. Keep away from children. Adjustment lock screws are loosened at the factory and your firearm should not be fired with the Accelerator attached until these screws are tightened to 4 inch pounds.

### Start-Up

The unit operates with one commercially available 3V Lithium battery [CR 2032] only. Insert the battery into the battery compartment located on the topside of the housing oriented so that the positive pole on the battery label is visible. Keep the contact surface clean of dirt and corrosion, cleaning with alcohol if necessary.

### Battery Installation

[Figure 1]



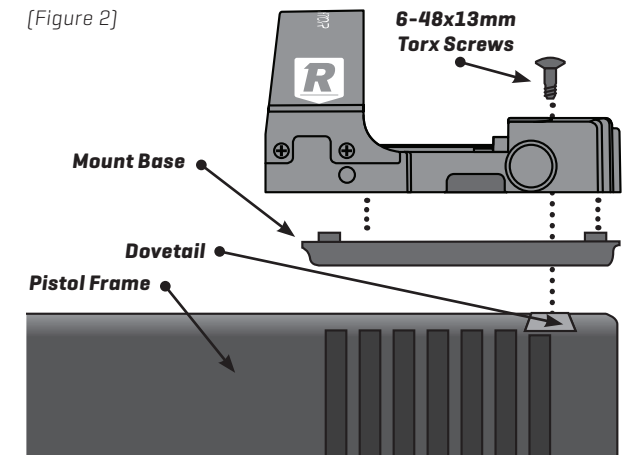
Using a coin, open the battery cover by turning it counter-clockwise following the direction indicated by the "unlock" icon [Figure 1]. Remove the old battery and install the new one, positive [+] side up. Reinstall the battery cover by turning it clockwise.

### Installation

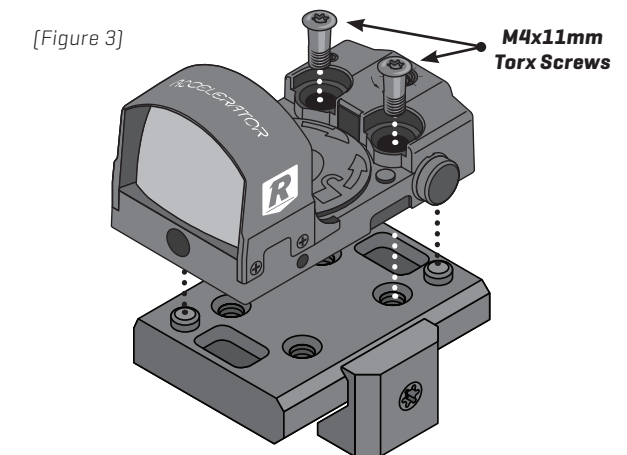
Installation on most handguns will require the use of a mount base kit [sold separately]. The Accelerator was designed to work with the most popular mount bases, such as JPoint or FastFire, and use of the included mount adapter plate may be required\*. Redfield recommends utilizing a qualified gunsmith to press/remove the rear sight from your handgun. Once the rear sight is removed, proceed by following the mount base manufacturer's instructions to install the Accelerator [Figure 2].

\*NOTE: The Accelerator comes with 2 sets of Torx mounting screws. The 6-48x13mm screws should be used with the mount adapter plate. When mounting without the adapter plate, the M4x11mm screws should be used.

[Figure 2]



[Figure 3]



### Reversible Cross-Slot Mount

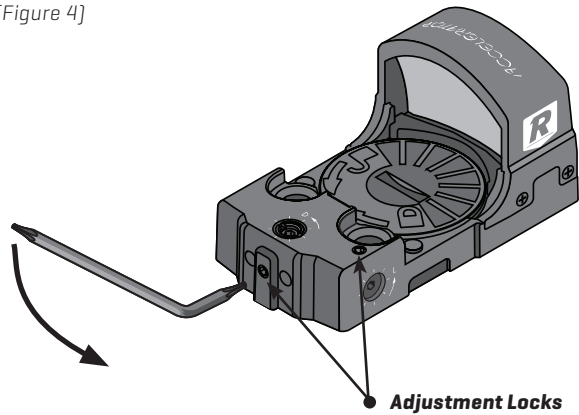
Place the sight on the mount base so that the screw holes in the sight and base align, also the two short corner posts on the mount align to the holes under the Accelerator [Figure 3]. The unit may be installed with the mount base keeper on either side. Install the two M4 x 11mm screws and tighten to 20 inch pounds. Loosen the keeper on the mount. Place the mount on the rail with the cross bolt located in the desired slot. Check to be sure all the clamping edges are engaged. Keep a light pressure on the sight toward the muzzle as you tighten the keeper to approximately 20 inch pounds.

### Operating Procedure

#### Elevation and Windage Adjustment

Separate controls for the elevation and windage adjustments

[Figure 4]



are found on the top and right side of the sight. Loosen the two adjustment lock screws of the sight counter-clockwise 1/2 turn each using the provided Hex key [Figure 4]. Turn the "D" [DOWN] or "L" [LEFT] screws with the provided Hex key. The windage adjustment mechanism has limit stops at both ends. Before shooting, make sure to tighten the lock screws to 4 inch pounds.

Note that the elevation adjustment downward stop is available only when the unit is installed on a mounting plate. Screwing either adjustment into a stop will lock motion of the other adjustment.

**Warning:** Failure to loosen adjustment lock screws before making adjustments to elevation or windage screws will cause sight damage.

## Zeroing the Point-of-Impact

The Accelerator windage and elevation screws move the point of impact 40 MOA (10" @ 25 yds) per revolution. Each 'Mark' on the adjustment screws represents about 5 MOA of adjustment. Before shooting, make sure to tighten the lock screws of the Accelerator (4 inch pounds, maximum) with the provided Hex key.

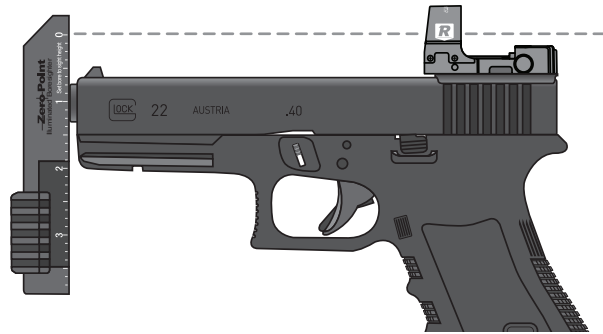
## Boresighting the Accelerator

The use of a Leupold Zero Point® Boresighter is recommended when zeroing the Accelerator [Figure 5]. Due to the low

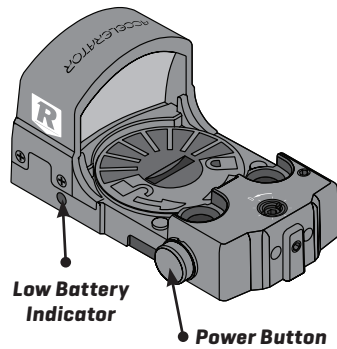
**Caution: Boresighting the Accelerator**  
Verify that the magazine of the firearm has been removed or emptied, and that there is not a round in the chamber. Only after double checking the firearm, verifying it is empty and safe, should you proceed with the boresighting process. Be sure to remove the Zero Point® Boresighter from the the barrel prior to loading the magazine or chamber.

magnification of the Accelerator, the grid pattern will appear relatively small. To make the boresighting process easier, Redfield recommends placing the eye near the Accelerator while making windage/elevation adjustments. As with any boresighting procedure, be sure to follow all safety precautions prior to boresighting, and make sure the boresighter has been removed from the the barrel prior to loading the magazine or chamber.

[Figure 5]



[Figure 6]



## Power On/Off

The Accelerator is equipped with 4 illumination settings, Auto, High, Medium, and Low. To activate the Accelerator, press the power button [Figure 6]. Repeatedly pressing the power button will cycle the Accelerator through the illumination levels, ending with powering the unit Off. NOTE: The Accelerator will turn off automatically after approximately 5 hours.

## Low Battery Indicator

The Accelerator has a low battery indicator on the left side that will flash red when the battery needs to be replaced [Figure 6]. The operator will have several hours of operating time in this mode before the sight is rendered inoperable without a battery change.

## Redfield Product Service

If your Redfield scope fails to perform in any way, you may return it directly to the factory (or one of our international service centers) for service. It is not necessary for your dealer to ship the scope to Redfield; however, they can be very helpful in determining if factory service is necessary. Please follow these shipping instructions:

1. Remove the rings and any other accessories from the scope.
2. Record the serial number of the scope and keep it for your records.
3. Include a note with your name, address, telephone number, e-mail, and a description of the problem.
4. Pack the scope in its original box if possible, as this is the safest shipping container. Wrap the package securely using filament strapping tape on the outside.
5. Ship the scope by parcel or mail service (insured, if possible) to one of the following addresses:

### Parcel Service:

Redfield Product Service  
14400 NW Greenbrier Parkway  
Beaverton, OR 97006-5790 USA

### By Mail:

Redfield Product Service  
P.O. Box 688  
Beaverton, OR 97075-0688 USA

## REDFIELD: "NO EXCUSES"

We build our Redfield riflescopes, sights, binoculars, spotting scopes and laser rangefinders to do their jobs. Day after day. Season after season. It's what you expect for your hard earned money.

If you ever have an issue, the last thing you need is backpedaling and passing the buck. That's where our "No Excuses" Warranties come in. If you have a problem with your Redfield product, we will make it right. No Hassle, no excuses. That's the Redfield way. Please see [www.redfield.com](http://www.redfield.com) for warranty details.

## THE REDFIELD "NO EXCUSES" ELECTRONICS WARRANTY

The electronic components in your Redfield Accelerator or product are warranted to be free of defects in materials and workmanship for TWO YEARS from the date of purchase. If at any time in this two year period, the electronic components are found to be defective due to issues with materials or workmanship, we will, at our discretion, repair or replace the product, free of charge. Detailed information regarding date of purchase may be required.

All warranties are void if damage results from unauthorized repair, alteration or misuse.

We reserve the right to make design and/or material modifications without prior notice.

The Redfield box is made in part from recycled materials and is 100% recyclable. This includes the black polypropylene supports, which are made of an accepted recyclable material. Many Redfield owners keep their scope boxes. If you have no use for yours, we encourage you to dispose of it responsibly.



A Leupold & Stevens Inc. Company

Leupold & Stevens, Inc. reserves all other rights. Redfield, Tracker, Accu-Range and 4-Plex, are registered trademarks of Leupold & Stevens, Inc., Beaverton, Oregon. Accu-Trac, Bear Cub, and Orion are trademarks of Leupold & Stevens, Inc. Beaverton, Oregon. Note: We reserve the right to make design and/or material modifications without prior notice.

This publication may not be reprinted or otherwise reproduced without the expressed written consent of Leupold & Stevens, Inc. Copyright © 2013 Leupold & Stevens, Inc. All rights reserved.

Part #119253 Artwork #119256